



Feature :

- Water proof IP67 sealed
- Bi-color LED illuminated available
- Long electrical life cycles
- Good tactile feeling

Application :

- Consumer products
- Computer products
- Instrumentation
- Communication equipments



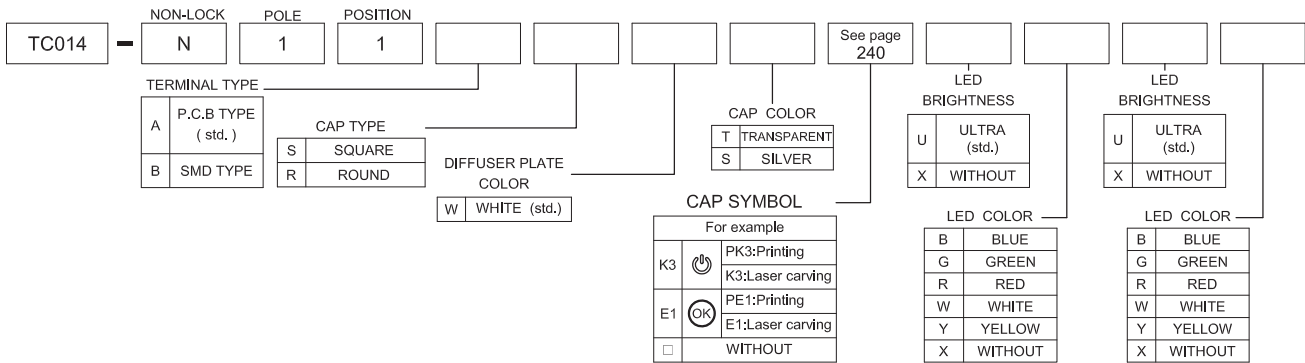
► DIMENSION

SWITCH SPECIFICATIONS	
POLE - POSITION	Momentary action , SPST
CONTACT RATING	20 V DC , 1 mA
CONTACT RESISTANCE	200Ω MAX. 5 V DC ; 1 mA , by Method of Voltage DROP
INSULATION RESISTANCE	100 MΩ MIN. 100 V DC for 1 minute
DIELECTRIC STRENGTH	Breakdown is not Allowable ; 250 V AC for 1 Minute
OPERATING FORCE	125 ± 50 gf
OPERATING LIFE	500,000 cycles
OPERATING TEMPERATURE RANGE	-40°C ~ 85°C
TOTAL TRAVEL	1.3 ± 0.1 mm
SEALING	IP67

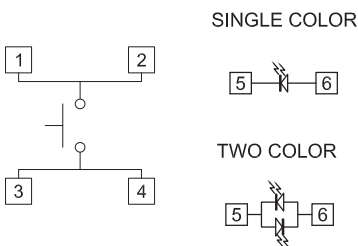
LED SPECIFICATIONS								
ATTENTION LEDs are Electrostatic Sensitive devices 	Unit	Value / LED Color						
		Blue	Pure Green	Red	Yellow	Orange	Green	White
LUMINOUS INTENSITY@20mA Iv	mcd	80	150	220	180	320	50	450
Dominant Wavelength λD	nm	465	525	630	590	601	567	/
FORWARD VOLTAGE@20mA Vf	V	3.3	3.2	1.95	2	2.1	2.1	3.3

■ A single bin cannot be ordered, please contact us in advance if you need a particular bin sorting before placing your order to clarify the lead time, MOQ and pricing

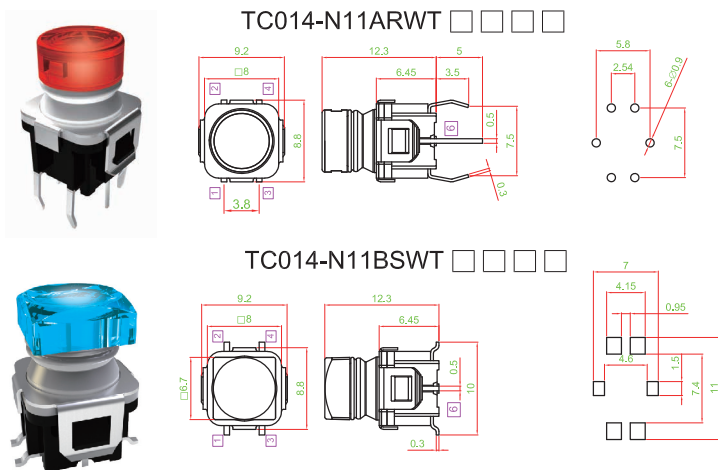
► HOW TO ORDER



► CIRCUIT



► DIMENSION



- TACT SWITCH
- PUSH BUTTON SWITCH
- LED TOUCH SENSOR SWITCH
- 5 DIRECTION NAVIGATION SWITCH WITH LED
- MEMBRANE SWITCH
- LED LIGHT BAR
- SLIDE SWITCH
- ROTARY SWITCH
- ROCKER SWITCH
- DETECT SWITCH
- ENCODER
- INTERRUPTER
- MINIATURE MICRO SWITCH
- TELEPHONE HOOK SWITCH
- DOOR SWITCH
- MINI SIZE SOCKET
- KNOB
- CAP SYMBOL