

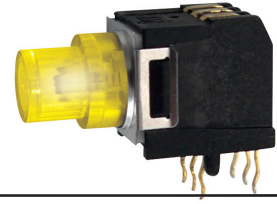


Feature :

- Small size
- Bi-color LED illuminated available
- Good tactile feeling

Application :

- Consumer products
- Network products
- Instrumentation
- Communication equipments

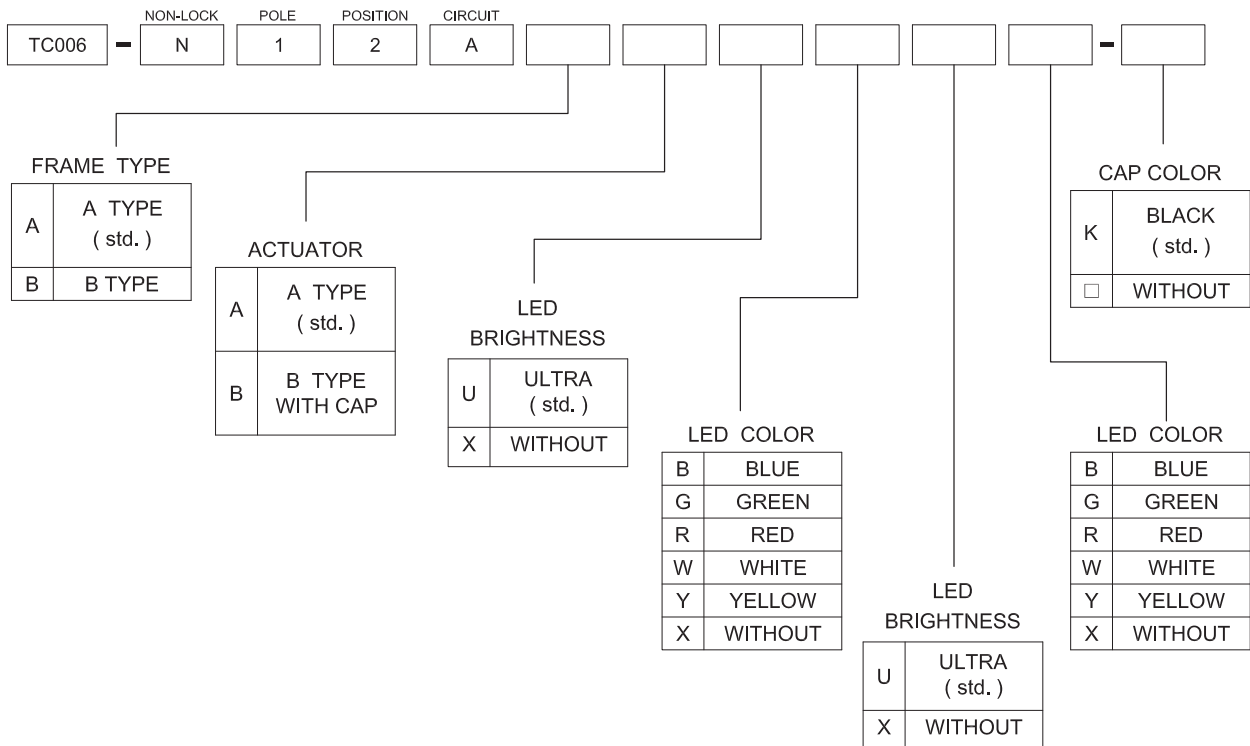


SWITCH SPECIFICATIONS	
POLE - POSITION	1P2T , Right Angle Push-on-on momentary Type , with or w/o LED are Available
RATING	POWER MIN. / MAX. : 0.02VA / 1.0VA CURRENT MIN. / MAX. : 0.1mA ~ 100mA VOLTAGE MIN. / MAX. : DC 20mV ~ DC 32V
CONTACT RESISTANCE	250 mΩ max. 1.5 V DC ; 100 mA , by Method of Voltage DROP
INSULATION RESISTANCE	100 MΩ min. 500 V DC
DIELECTRIC STRENGTH	Breakdown is not Allowable ; 250 V AC for 1 Minute
OPERATING FORCE	400 ± 125 gf
OPERATING LIFE	50,000 cycles
OPERATING TEMPERATURE RANGE	-40°C ~ 85°C
TOTAL TRAVEL	2.0 mm MAX.

LED SPECIFICATIONS								
ATTENTION LEDs are Electrostatic Sensitive devices (1) (2) (3)	Unit	Value / LED Color						
		Blue	Pure Green	Red	Yellow	Orange	Green	White
LUMINOUS INTENSITY@20mA I _v	mcd	1300	6500	1200	400	550	370	1200
Dominant Wavelength λ _D	nm	470	525	635	590	601	570	/
FORWARD VOLTAGE@20mA V _f	V	3.3	3.3	1.95	2	2.1	2.1	4

■ A single bin cannot be ordered, please contact us in advance if you need a particular bin sorting before placing your order to clarify the lead time, MOQ and pricing

▶ HOW TO ORDER



- TACT SWITCH
- PUSH BUTTON SWITCH
- LED TOUCH SENSOR SWITCH
- 5 DIRECTION NAVIGATION SWITCH WITH LED
- MEMBRANE SWITCH
- LED LIGHT BAR
- SLIDE SWITCH
- ROTARY SWITCH
- ROCKER SWITCH
- DETECT SWITCH
- ENCODER
- INTERRUPTER
- MINIATURE MICRO SWITCH
- TELEPHONE HOOK SWITCH
- DOOR SWITCH
- MINI SIZE SOCKET
- KNOB
- CAP SYMBOL



TACT SWITCH

PUSH BUTTON SWITCH

LED TOUCH SENSOR SWITCH

5 DIRECTION NAVIGATION SWITCH WITH LED

MEMBRANE SWITCH

LED LIGHT BAR

SLIDE SWITCH

ROTARY SWITCH

ROCKER SWITCH

DETECT SWITCH

ENCODER

INTERRUPTER

MINIATURE MICRO SWITCH

TELEPHONE HOOK SWITCH

DOOR SWITCH

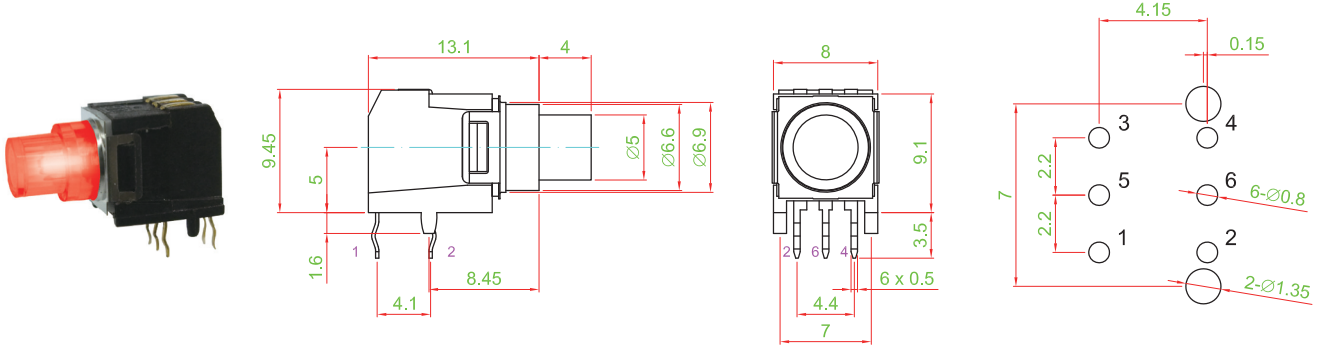
MINI SIZE SOCKET

KNOB

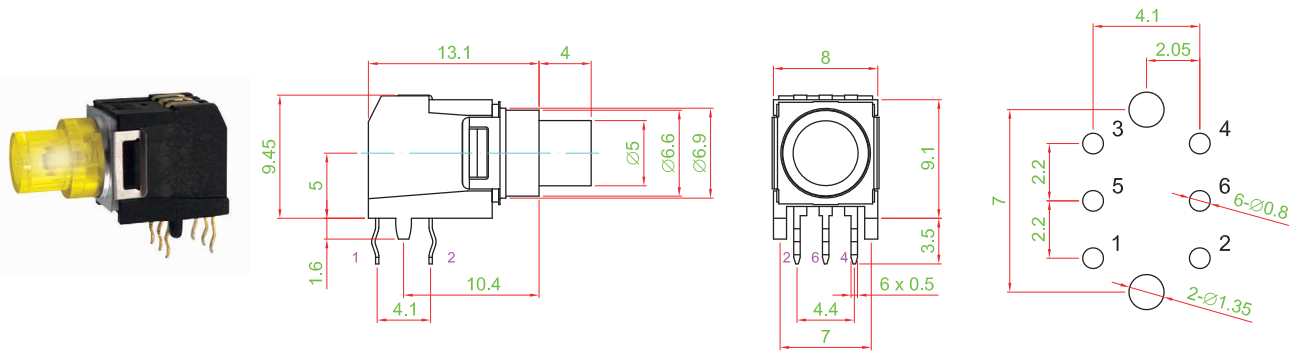
CAP SYMBOL

► DIMENSION

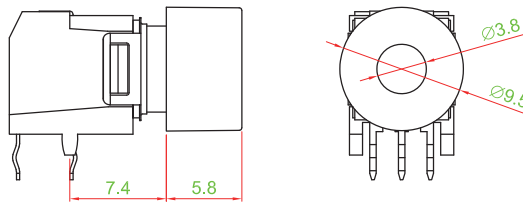
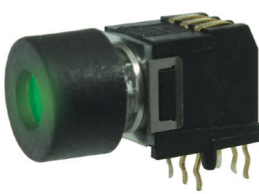
TC006-N12AAA □ □ □ □



TC006-N12ABA □ □ □ □



► CAP TYPE



► CIRCUIT

