



Feature :

- Approved by automotive brand after market
- Snap in push button switch
- Custom symbol and LED indicator available
- Wire and connector available

Application :

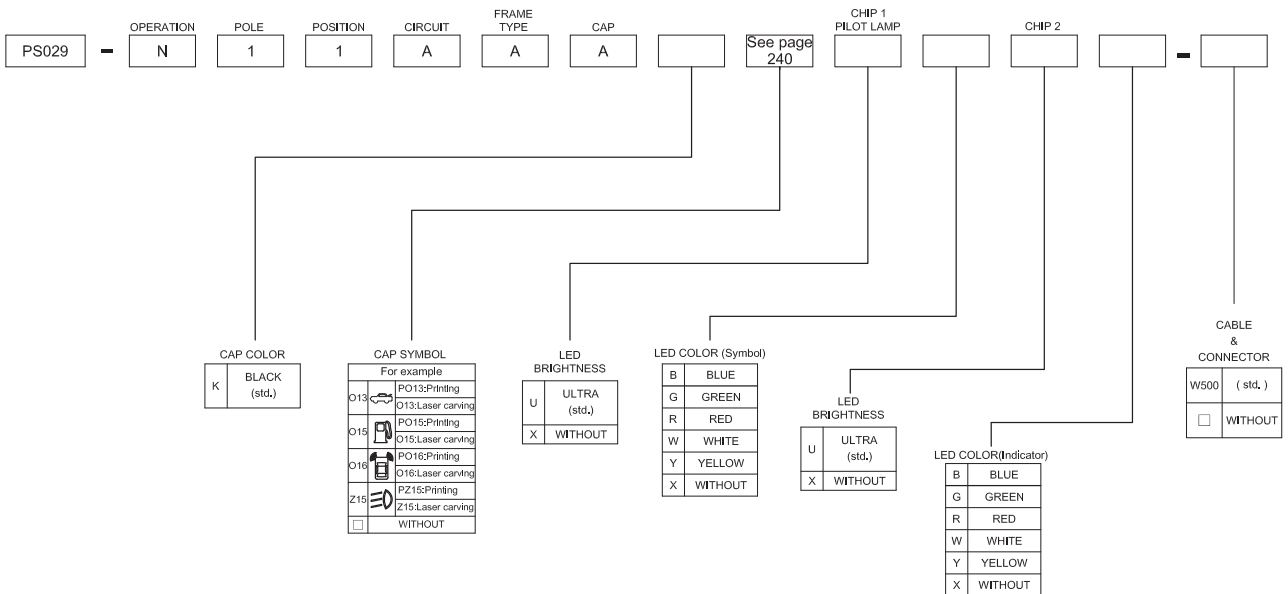
- Consumer products
- Automotive

SWITCH SPECIFICATIONS	
POLE - POSITION	OFF - <ON> for Momentary Type , SPST
CONTACT RATING	12V DC , 300 mA
CONTACT RESISTANCE	200 mΩ MAX.
INSULATION RESISTANCE	100 MΩ MIN. 500 V DC
DIELECTRIC STRENGTH	Breakdown is not Allowable ; 500 V AC for 1 Minute
OPERATING FORCE	350 ± 150gf
OPERATING LIFE	200,000 cycles
OPERATING TEMPERATURE RANGE	-25°C ~ 85°C
STORAGE TEMPERATURE RANGE	-40°C ~ 85°C
TOTAL TRAVEL	2.2 ± 0.3 mm

LED SPECIFICATIONS								
ATTENTION LEDs are Electrostatic Sensitive devices (+) () ()	Unit	Value / LED Color						
		Blue	Pure Green	Red	Yellow	Orange	Green	White
LUMINOUS INTENSITY@20mA Iv	mcd	100	413	230	150	250	50	200
Dominant Wavelength λD	nm	470	525	630	590	601	568	/
FORWARD VOLTAGE@20mA Vf	V	3.3	3.3	1.95	2	2.1	2.1	3.3

■ A single bin cannot be ordered, please contact us in advance if you need a particular bin sorting before placing your order to clarify the lead time, MOQ and pricing

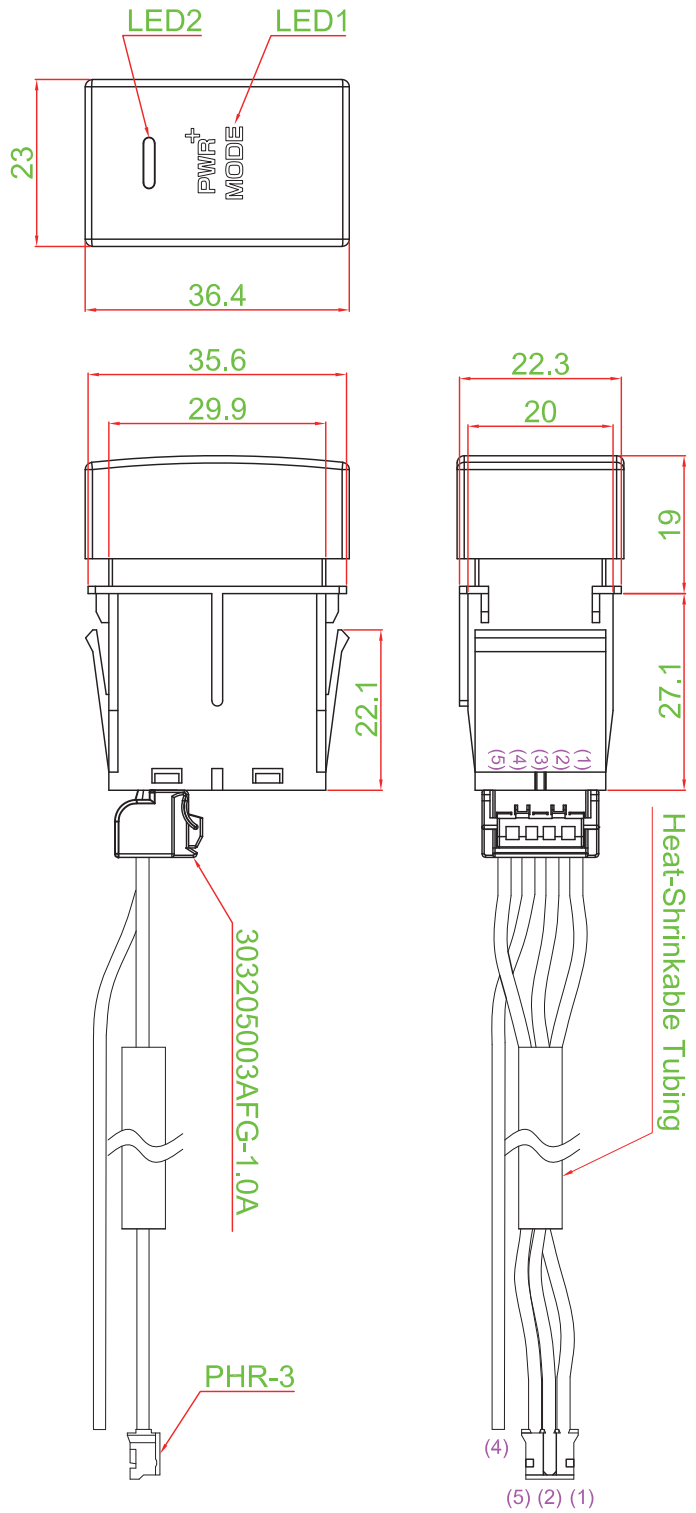
HOW TO ORDER



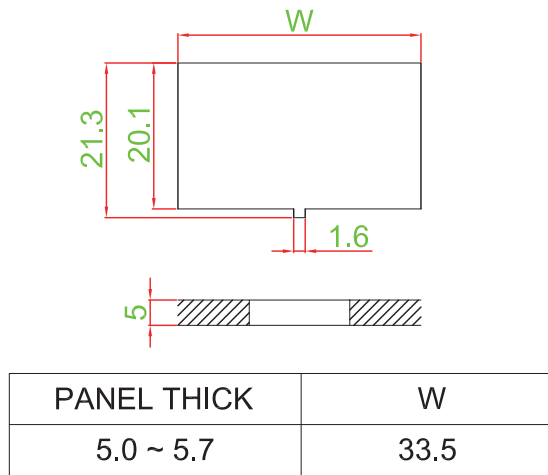


► DIMENSION

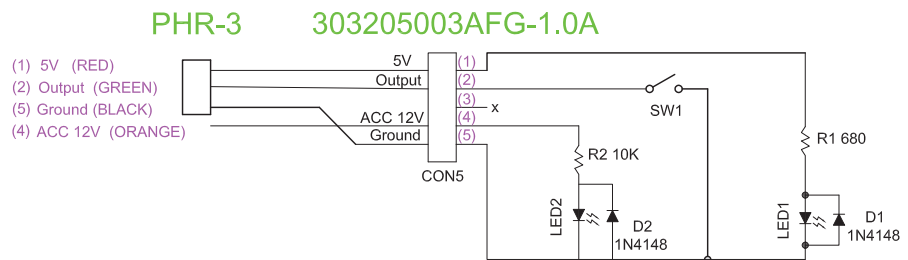
PS029-N11AAAKH26UWUB-W1500



► PANEL CUT OUT



► CIRCUIT



- TACT SWITCH
- PUSH BUTTON SWITCH
- LED TOUCH SENSOR SWITCH
- 5 DIRECTION NAVIGATION SWITCH WITH LED
- MEMBRANE SWITCH
- LED LIGHT BAR
- SLIDE SWITCH
- ROTARY SWITCH
- ROCKER SWITCH
- DETECT SWITCH
- ENCODER
- INTERRUPTER
- MINIATURE MICRO SWITCH
- TELEPHONE HOOK SWITCH
- DOOR SWITCH
- MINI SIZE SOCKET
- KNOB
- CAP SYMBOL