



Feature :

FSTN LCD display resolution: 64\*32 pixels  
View size: 0.9"  
SPST, momentary function

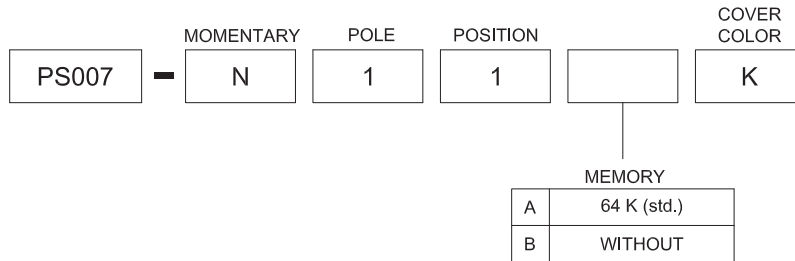
Application :

Audio / video switchers  
Instrumentation  
Telecommunication  
Broadcast system  
Security system



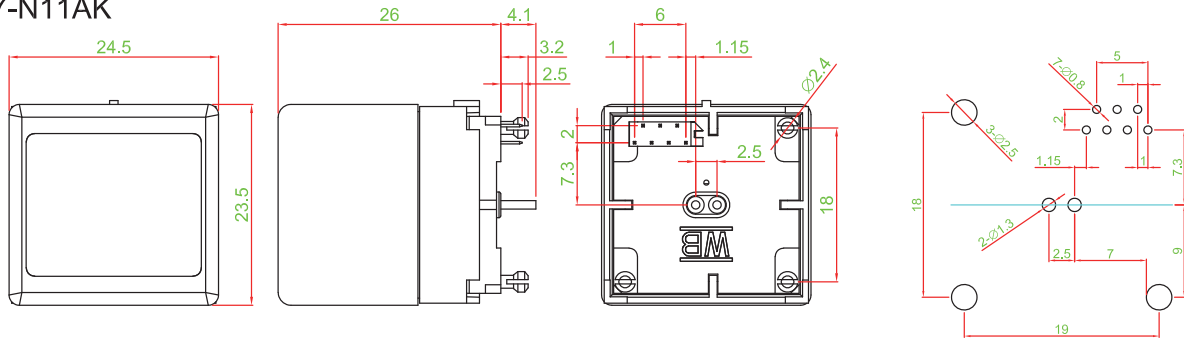
SWITCH SPECIFICATIONS	
POLE - POSITION	OFF - <ON> for Momentary Type , SPST
CONTACT RATING	100mA 12V DC
CONTACT RESISTANCE	200 Ω MAX.
INSULATION RESISTANCE	100 MΩ MIN. 500 V DC
DIELECTRIC STRENGTH	Breakdown is not Allowable ; 500 V AC for 1 Minute
OPERATING FORCE	200 ± 100 gf
OPERATING LIFE	1,000,000 cycles
OPERATING TEMPERATURE RANGE	-10°C ~ 70°C
TOTAL TRAVEL	2.0 ± 0.2 mm

▶ HOW TO ORDER

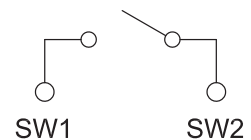


▶ DIMENSION

PS007-N11AK



▶ CIRCUIT



- TACT SWITCH
- PUSH BUTTON SWITCH
- LED TOUCH SENSOR SWITCH
- 5 DIRECTION NAVIGATION SWITCH WITH LED
- MEMBRANE SWITCH
- LED LIGHT BAR
- SLIDE SWITCH
- ROTARY SWITCH
- ROCKER SWITCH
- DETECT SWITCH
- ENCODER
- INTERRUPTER
- MINIATURE MICRO SWITCH
- TELEPHONE HOOK SWITCH
- DOOR SWITCH
- MINI SIZE SOCKET
- KNOB
- CAP SYMBOL



## ▶ LCD ELECTRICAL CHARACTERISTICS

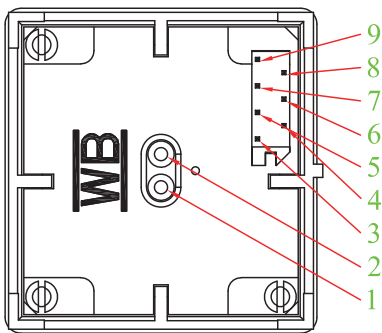
### DISPLAY

ITEM	CHARACTERISTICS	Unit
LCD type	FSTN / Transflective / Positive	
Pixels	64 * 32	Dot
View area	17.8 * 13.0	mm <sup>2</sup>
Dots size	0.235 * 0.335	mm <sup>2</sup>
Dots pitch	0.25 * 0.35	mm <sup>2</sup>
Viewing angle	6 O'clock	
Operating temperature	-10 to 70	°C
Storage temperature	-20 to 80	°C
Duty ratio	1/32	Duty
Bias	1/6	Bias

### BACKLIGHT

COLOR : Over 32K color of backlight					
Dominant Wavelength :					
Device	MIN.	TYP.	MAX.	Units	Test Conditions
Hyper RED	611	621	631	nm	IF=20mA
GREEN	510	525	540		
BLUE	457	470	483		

### PIN STRUCTURE



PIN NO.	SYMBOL	NAME	FUNCTION
1	SW1	Switch Pin	Normally open
2	SW2	Switch Pin	Normally open
3	ALARM	ALARM	For Button Mode to trigger change picture.
4	SCS	Slave Control Select	Slave select for SPI. This line is active low.
5	SDO	Data Out	Data output line for SPI
6	SDI	Data In	Data input line for SPI
7	SCK	Serial Clock	Clock line to synchronize data write for SPI
8	GND	Ground	Connect to ground.
9	VDD	Power	Power source for logic current and LCD

詳細資料請與公司業務聯繫 More details please check with our sales