



Feature :

- Momentary or maintained action
- Bi-color LED illuminated available
- Wave solderable

Application :

- Consumer products
- Computer products
- Instrumentation
- Communication equipments
- Scientific instrumentation

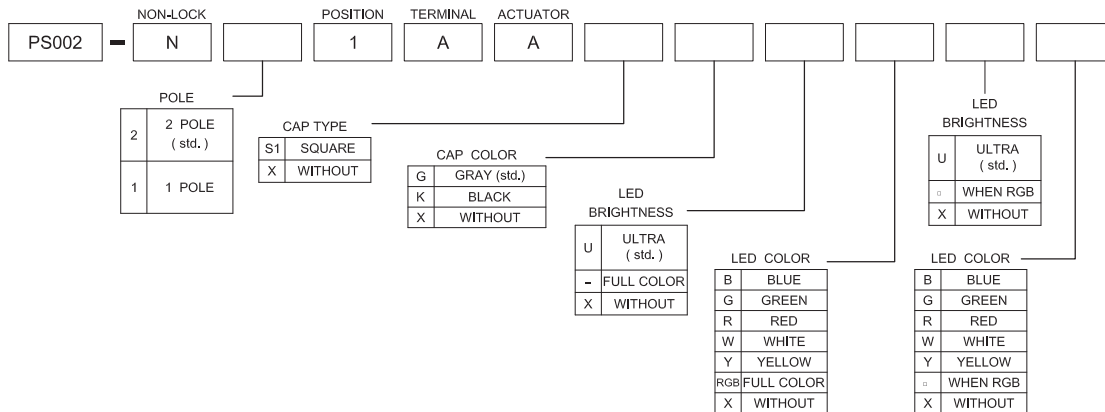


SWITCH SPECIFICATIONS	
POLE - POSITION	SPST , DPST
CONTACT RATING	30 V DC , 250 mA
CONTACT RESISTANCE	50 mΩ MAX. 1.5 V DC ; 100 mA , by Method of Voltage DROP
INSULATION RESISTANCE	100 MΩ MIN. 500 V DC for 1 minute
DIELECTRIC STRENGTH	Breakdown is not Allowable ; 500 V AC for 1 Minute
OPERATING FORCE	160 ± 80 gf
OPERATING LIFE	1,000,000 cycles
OPERATING TEMPERATURE RANGE	-40°C ~ 85°C
TOTAL TRAVEL / OPERATING TRAVEL	3.1 ± 0.3 mm / 1.2 ± 0.3 mm

LED SPECIFICATIONS								
ATTENTION LEDs are Electrostatic Sensitive devices 	Unit	Value / LED Color						
		Blue	Pure Green	Red	Yellow	Orange	Green	White
LUMINOUS INTENSITY@20mA I _v	mcd	80	150	220	180	320	50	450
Dominant Wavelength λ _D	nm	465	525	630	590	601	567	/
FORWARD VOLTAGE@20mA V _f	V	3.3	3.2	1.95	2	2.1	2.1	3.3

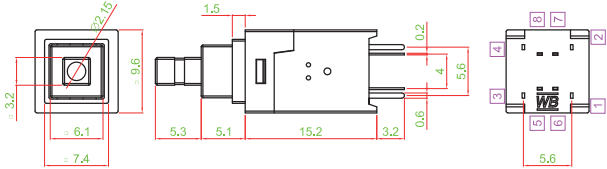
■ A single bin cannot be ordered, please contact us in advance if you need a particular bin sorting before placing your order to clarify the lead time, MOQ and pricing

▶ HOW TO ORDER



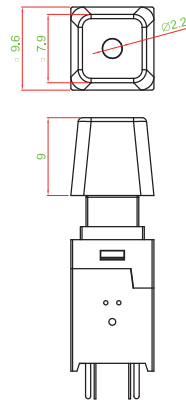
▶ DIMENSION

PS002-N21AAXX□□□□

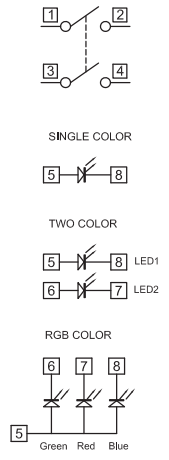


▶ CAP TYPE

S1



▶ CIRCUIT



- TACT SWITCH
- PUSH BUTTON SWITCH
- LED TOUCH SENSOR SWITCH
- 5 DIRECTION NAVIGATION SWITCH WITH LED
- MEMBRANE SWITCH
- LED LIGHT BAR
- SLIDE SWITCH
- ROTARY SWITCH
- ROCKER SWITCH
- DETECT SWITCH
- ENCODER
- INTERRUPTER
- MINIATURE MICRO SWITCH
- TELEPHONE HOOK SWITCH
- DOOR SWITCH
- MINI SIZE SOCKET
- KNOB
- CAP SYMBOL