



Feature:

8 rows and 7 columns OLED push switches, total 56 keys switch panel.
WB will provide the protocol and source code of the switch panel for below.

Functions:

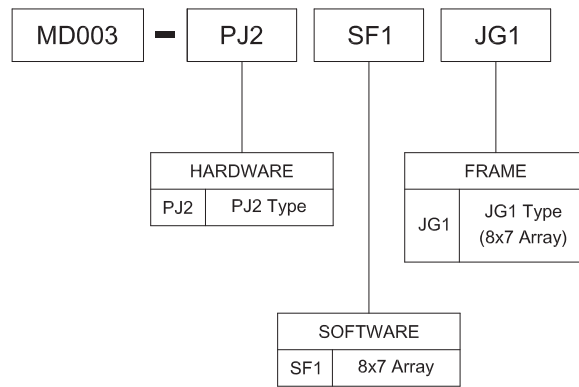
- Fill a button with a RGB background color.
- Fill a button with graphic or video which auto convert to resolution 96x64.
- Send text to a button. / Clear a button.

Application:

- Video switcher
- Broadcasting system
- Security system



► HOW TO ORDER



► DIMENSION

