

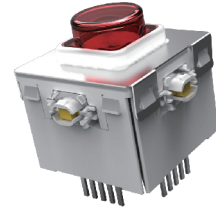


Feature :

- 5 direction navigation cap
- Panel mount and PCB module installation
- LED illumination

Application :

- Consumer products
- Computer products
- Instrumentation
- Communication equipments
- Home appliances

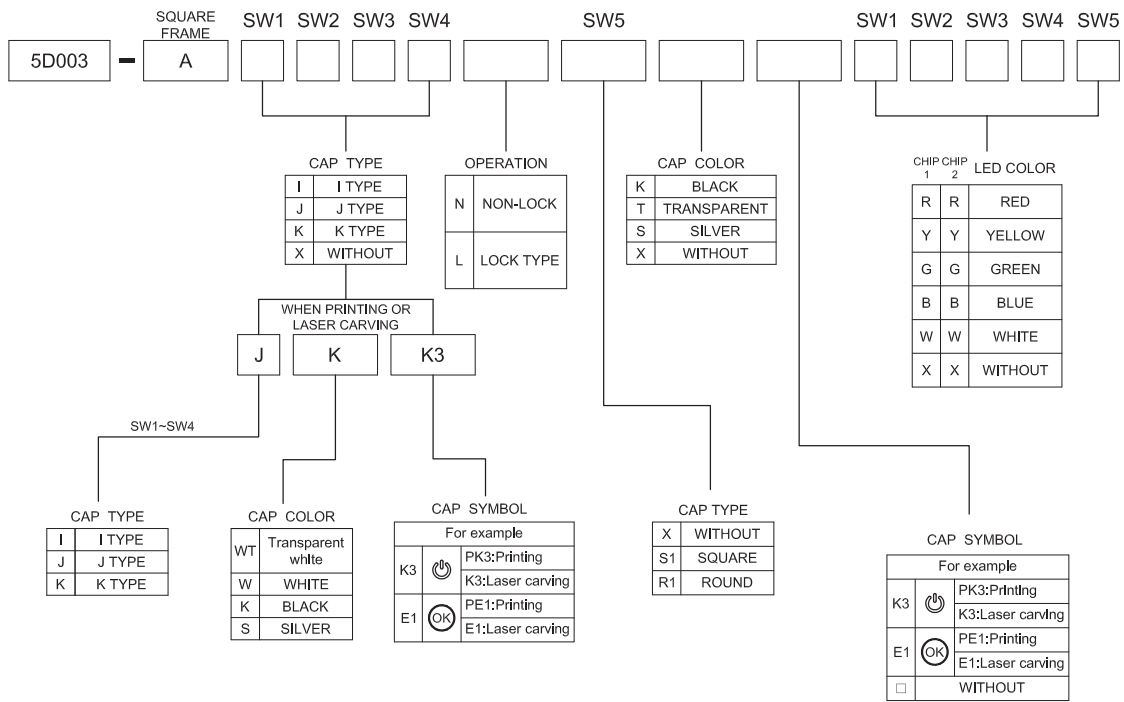


SWITCH SPECIFICATIONS	
POLE - POSITION	TACT SWITCH : 1P1T PUSH SWITCH : 2P2T (std.)
CONTACT RATING	12 V DC , 50 mA
CONTACT RESISTANCE	TACT SWITCH : 500 mΩ MAX. 5 V DC ; 10 mA PUSH SWITCH : 100 mΩ MAX. 1.5 V DC ; 100 mA
INSULATION RESISTANCE	TACT SWITCH : 100 MΩ MIN. 100 V DC PUSH SWITCH : 100 MΩ MIN. 500 V DC
DIELECTRIC STRENGTH	Breakdown is not Allowable ; TACT SWITCH : 250 V AC for 1 Minute PUSH SWITCH : 500 V AC for 1 Minute
OPERATING FORCE	TACT SWITCH : 160 ± 50 gf PUSH SWITCH : 250 ± 50 gf
OPERATING LIFE	50,000 cycles
OPERATING TEMPERATURE RANGE	-40°C ~ 85°C

LED SPECIFICATIONS								
ATTENTION LEDs are Electrostatic Sensitive devices (+) (-)	Unit	Value / LED Color						
		Blue	Pure Green	Red	Yellow	Orange	Green	White
LUMINOUS INTENSITY@20mA I _v	mcd	80	150	220	180	320	50	450
Dominant Wavelength λ _D	nm	465	525	630	590	601	567	/
FORWARD VOLTAGE@20mA V _f	V	3.3	3.2	1.95	2	2.1	2.1	3.3

■ A single bin cannot be ordered, please contact us in advance if you need a particular bin sorting before placing your order to clarify the lead time, MOQ and pricing

▶ HOW TO ORDER

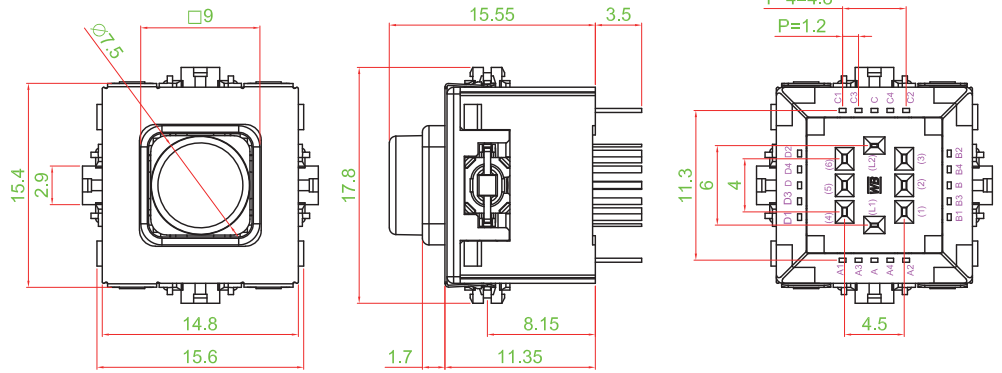


- TACT SWITCH
- PUSH BUTTON SWITCH
- LED TOUCH SENSOR SWITCH
- 5 DIRECTION NAVIGATION SWITCH WITH LED
- MEMBRANE SWITCH
- LED LIGHT BAR
- SLIDE SWITCH
- ROTARY SWITCH
- ROCKER SWITCH
- DETECT SWITCH
- ENCODER
- INTERRUPTER
- MINIATURE MICRO SWITCH
- TELEPHONE HOOK SWITCH
- DOOR SWITCH
- MINI SIZE SOCKET
- KNOB
- CAP SYMBOL



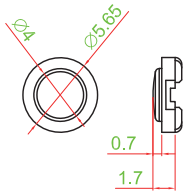
DIMENSION

5D003-AXXXLS1WBXBXBXB

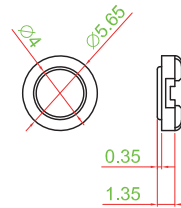


CAP TYPE

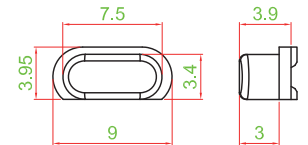
I TYPE



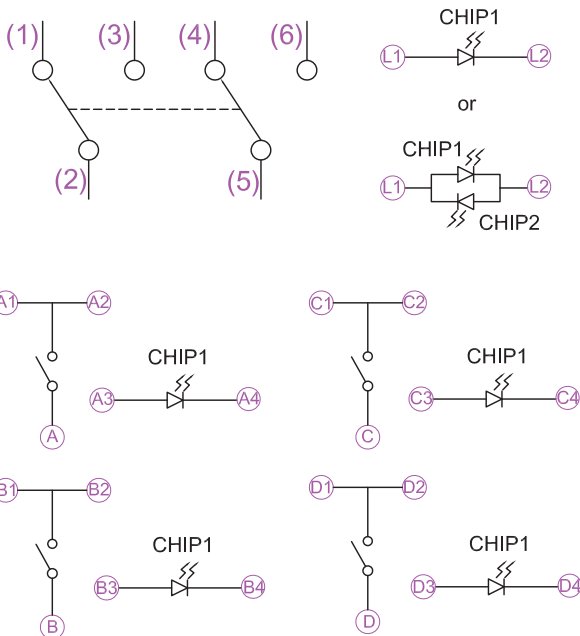
J TYPE



K TYPE



CIRCUIT



P.C.B. LAYOUT

